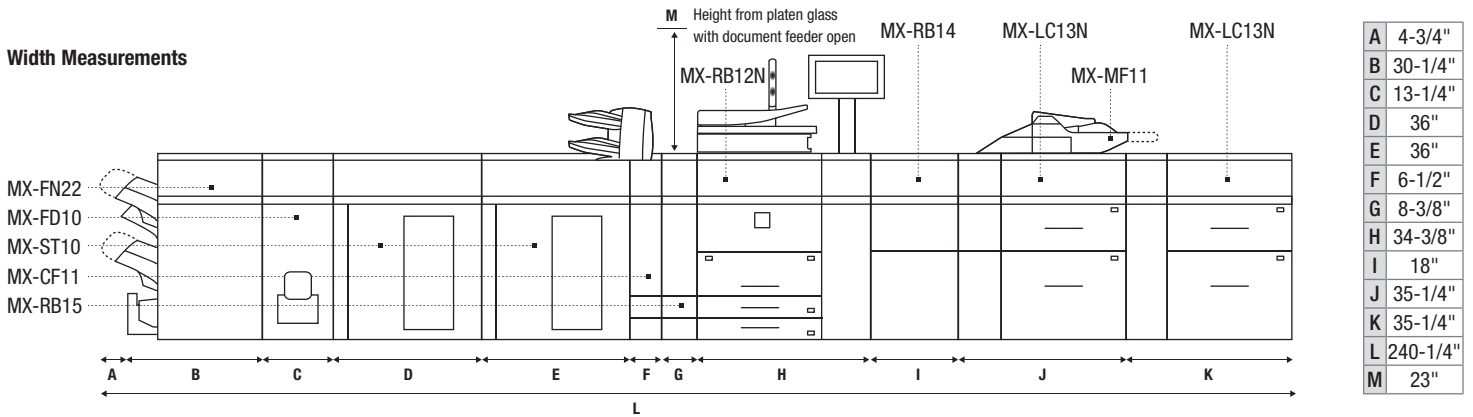


## SPACE REQUIREMENTS AND PLANNING GUIDE



Note: In addition to the above dimensions, allow three feet of space on all sides for consumable replenishment, paper jam removal, and maintenance and service procedures. Images may not be to scale.

### Installing Dealer

Read this document in its entirety before planning your configuration.

Plan ahead and make sure your installation is a great success! Remember to check the latest information on these products and make sure that the following items are available prior to installation.

- Verify dedicated power source and check for stability. The MX-7090N/8090N Document Systems require a 208-240 VAC, 60 Hz, 20 Amp power source.



The MX-7090N/8090N main unit requires one 208-240 VAC, 20 Amp power source.



The MX-BM50, MX-FN21, MX-FN22, MX-LC13N, and MX-ST10 options each require separate 120 VAC, 15 Amp power source plugs.

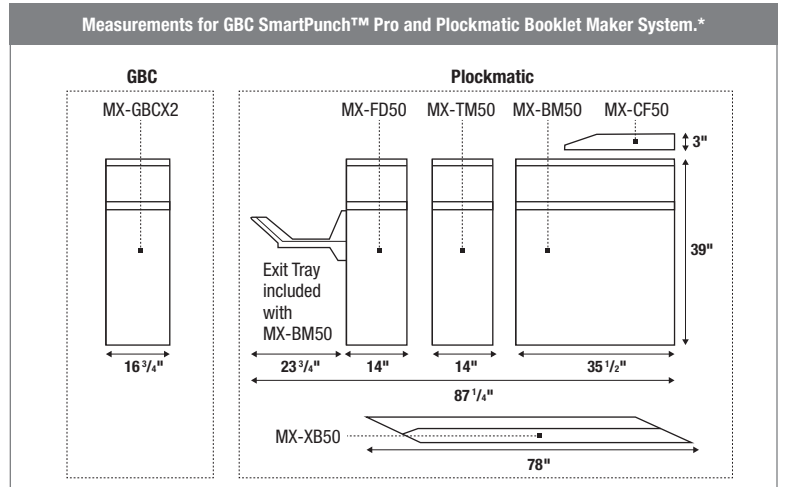
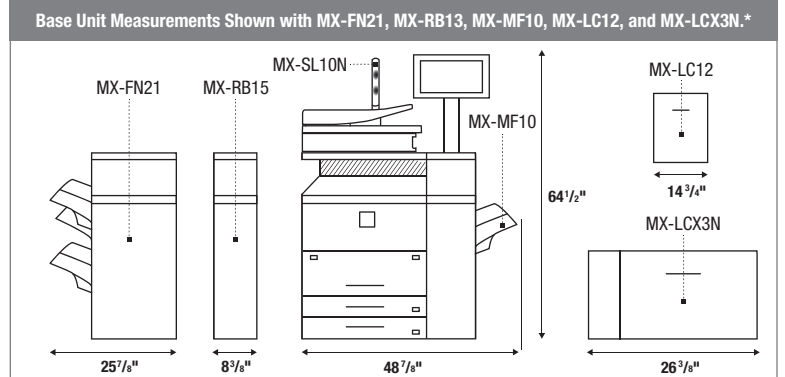
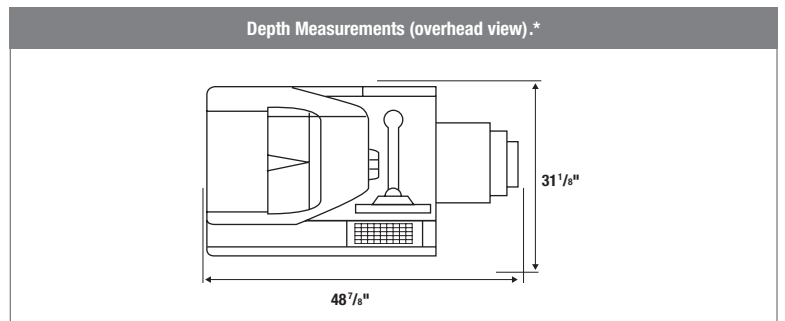
- Confirm that you have the latest firmware available from [www.sharp-pcservice.com](http://www.sharp-pcservice.com) to upgrade your MX-7090N/8090N Document Systems.
- Some accessories require a product key for operation. You should obtain the accessory Application Code and machine's serial number to register the product key online prior to arrival at the customer location.
- Check to see if My Sharp™ online training is set up for the end-user.



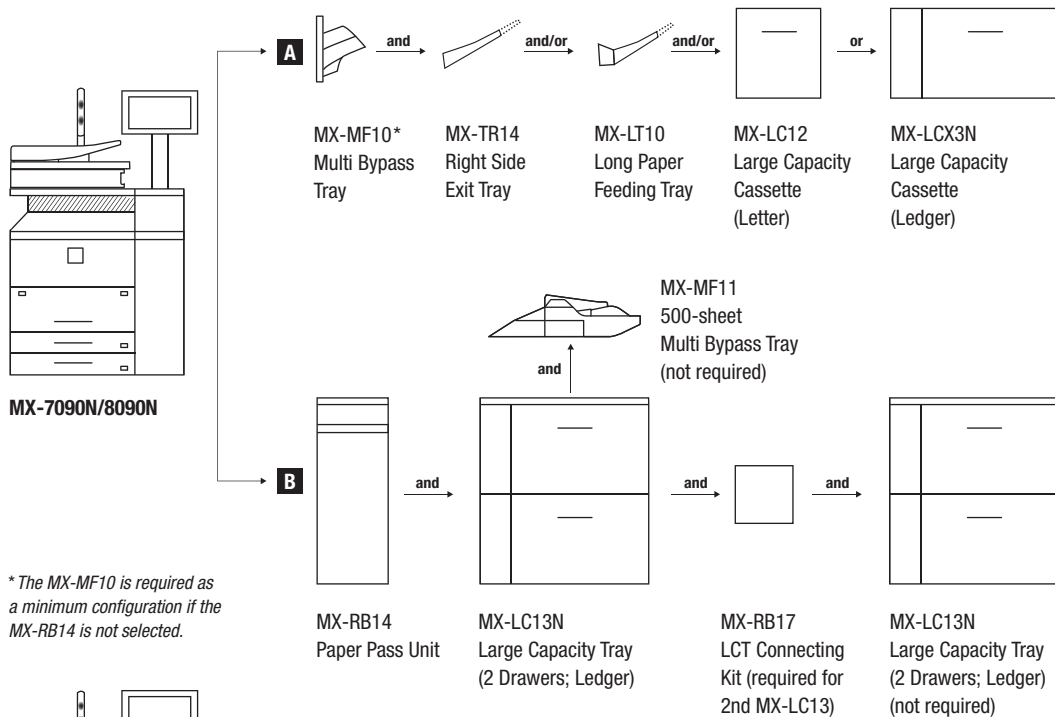
- Verify that the customer has enough supplies on-hand to complete a large rush job. After-hours printing and/or holiday work may take place following an installation. See Supplies & Accessories list on the following page.

\*Illustrations shown are for measurement purposes only and may not be to scale. For configurations see subsequent pages.

Design and specifications are subject to change without notice. All product dimensions listed are approximate. Sharp, Sharp OSA, My Sharp and all related trademarks are trademarks or registered trademarks of Sharp Corporation and/or its affiliated companies. PCL is a registered trademark of HP Company. Adobe and PostScript are registered trademarks of Adobe Systems Inc. All other trademarks are the property of their respective owners.



### STEP 1: CHOOSE PAPER FEED CONFIGURATION

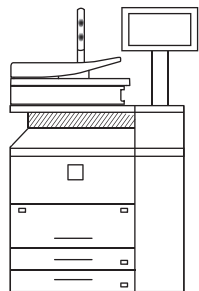


#### Configuration A

- A** These configurations require the MX-MF10.
- The MX-TR14 and MX-LT10 are not required.
  - The MX-LC12 cannot be used with the MX-LCX3N.
  - These items cannot be combined with items from paper feed configuration B.

#### Configuration B

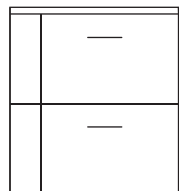
- B** This configuration requires the MX-RB14 and MX-LC13N.
- An MX-RB17 is required to connect two MX-LC13N Large Capacity Trays.
  - The MX-MF11 can also be added to the first MX-LC13N but cannot be used alone.
  - These items cannot be combined with items from paper feed configuration A.



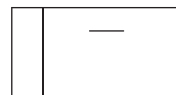
1. Base Unit



2. MX-LC12



3. MX-LC13N



4. MX-LCX3N



5. MX-MF10



6. MX-MF11

### Supported Paper Weights

- 1. Base Unit (3,000 sheets)**  
 Upper Drawer (tandem): 16 lb. Bond to 28 lb. Bond (60-105 gsm)  
 Middle/Lower Drawer: 16 lb. Bond to 100 lb. Bristol (60-220 gsm)
- 2. MX-LC12 (3,500 sheets)**  
 16 lb. Bond to 100 lb. Bristol (60-220 gsm)
- 3. MX-LC13N (5,000 sheets)**  
 Upper/Lower Drawer: 15 lb. Bond to 110 lb. Cover (55-300 gsm)
- 4. MX-LCX3N (3,000 sheets)**  
 16 lb. Bond to 100 lb. Bristol (60-220 gsm)
- 5. MX-MF10 (100 sheets)**  
 15 lb. Bond to 110 lb. Cover (55-300 gsm)
- 6. MX-MF11 (500 sheets)**  
 15 lb. Bond to 100 lb. Bristol (55-220 gsm)

### Supplies & Accessories

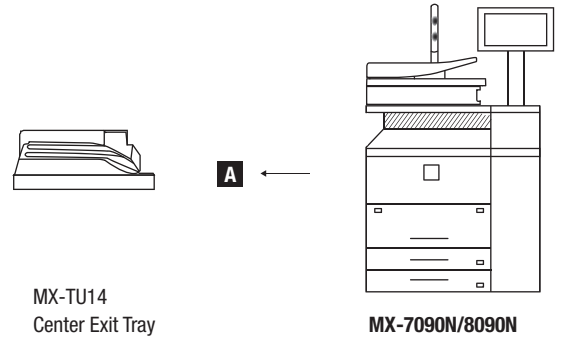
- |                                  |           |  |            |
|----------------------------------|-----------|--|------------|
| • Black Toner Cartridge          | MX-62NTBA | • Drum   | MX-62NRSA  |
| • Cyan Toner Cartridge           | MX-75NTCA | • Toner Collection Container                           | MX-700HB   |
| • Magenta Toner Cartridge        | MX-75NTMA | • 120V/15A Power Filter                                | AR-D5133NT |
| • Yellow Toner Cartridge         | MX-75NTYA | • (for MX-BM50, MX-FN21, MX-FN22, MX-LC13 and MX-ST10) |            |
| • Black Developer*               | MX-62NVBA | • 208-240V/20A Power Filter                            | MX-E524ZNT |
| • Cyan/Magenta/Yellow Developer* | MX-62NVSA | • (for MX-7090N/8090N)                                 |            |

\* Black and Color Developer included.

### STEP 2: CHOOSE FINISHING CONFIGURATION

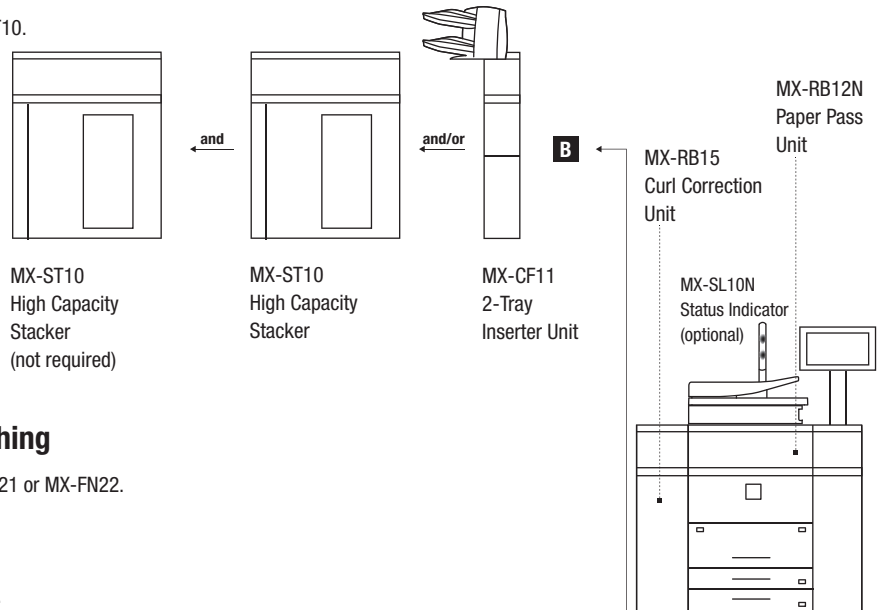
#### Configuration A

- A** The MX-TU14 must be installed if no finishing options are selected. This item cannot be combined with items from other finishing configurations.



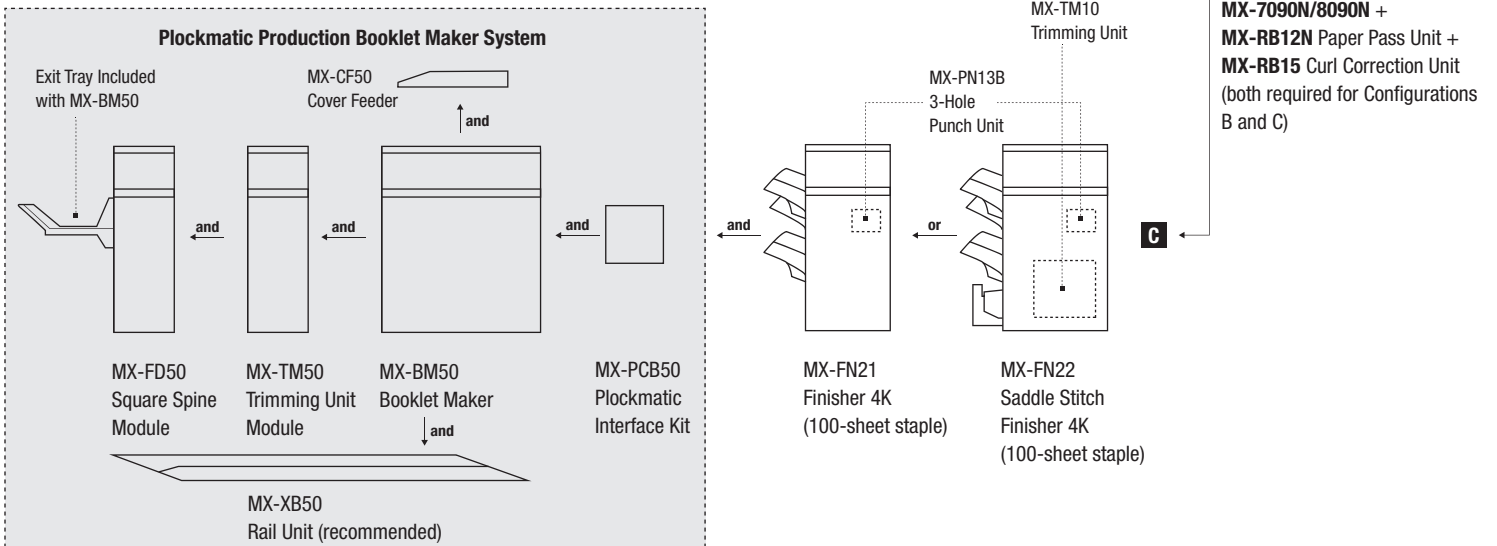
#### Configuration B: High Capacity Stacking

- B** This configuration requires the MX-RB12N, MX-RB15 and one MX-ST10.
- An additional MX-ST10 can be added, but is not required.
  - Each MX-ST10 includes one MX-CA10 Paper Cart.
  - Additional paper carts can be ordered for convenience.
  - The MX-SL10N Status Indicator can be added to any configuration.



#### Configuration C: Basic 100-sheet Staple Finishing

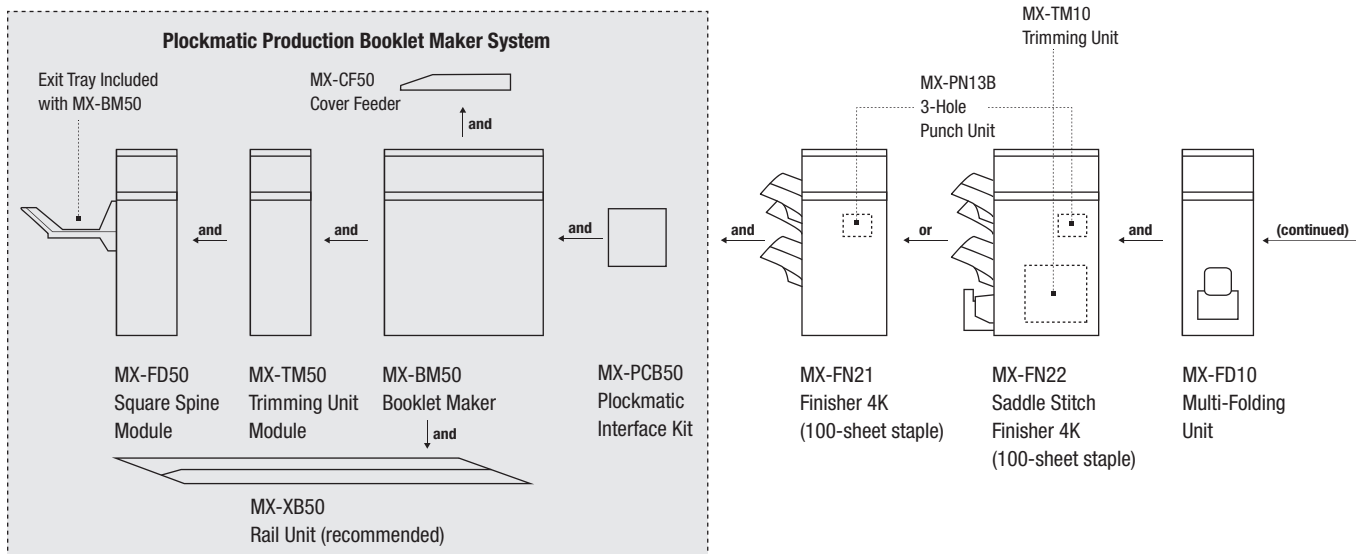
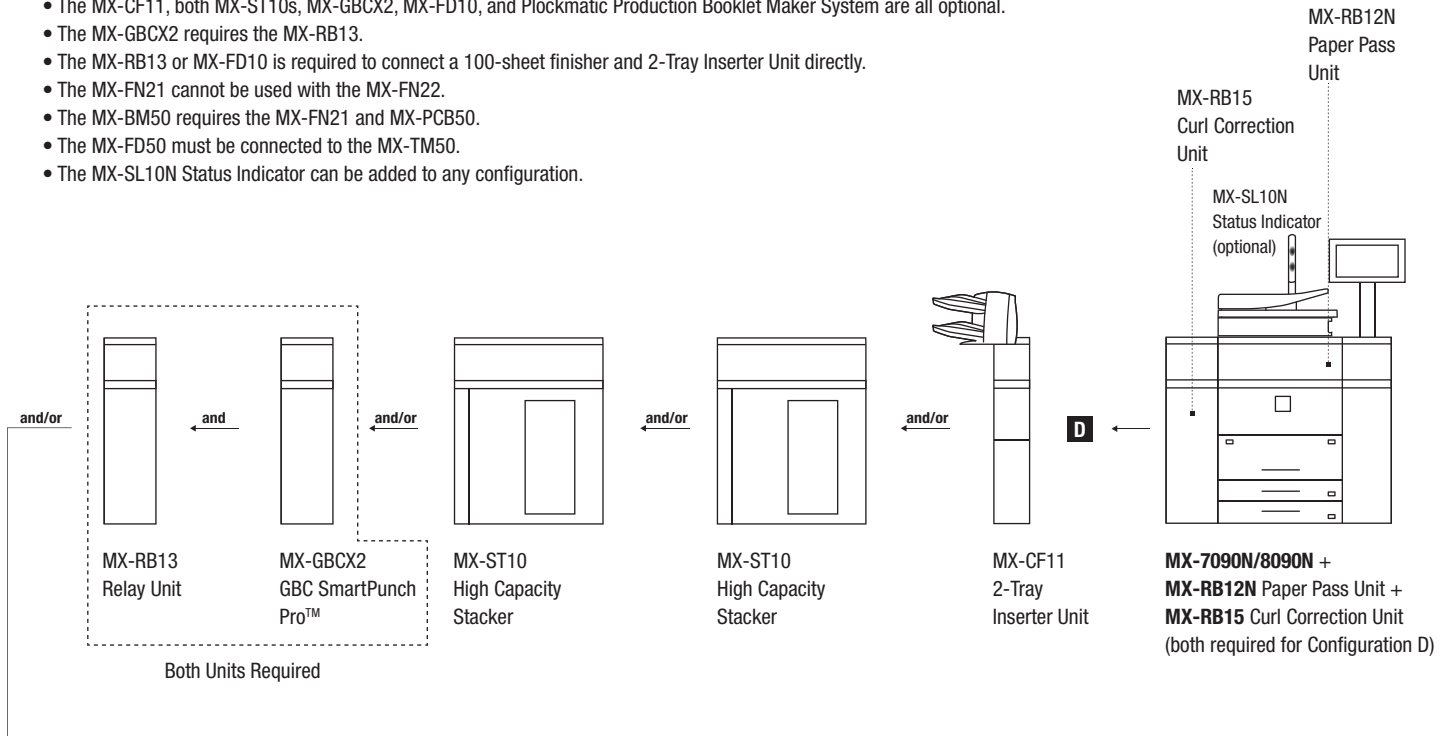
- C** This configuration requires the MX-RB12N, MX-RB15 and the MX-FN21 or MX-FN22.
- The MX-FN21 cannot be used with the MX-FN22.
  - The MX-BM50 requires the MX-FN21 and MX-PCB50.
  - The MX-FD50 must be connected to the MX-TM50.
  - The MX-SL10N Status Indicator can be added to any configuration.



### STEP 2: CHOOSE FINISHING CONFIGURATION *(continued)*

#### Configuration D: Advanced 100-sheet Staple Finishing

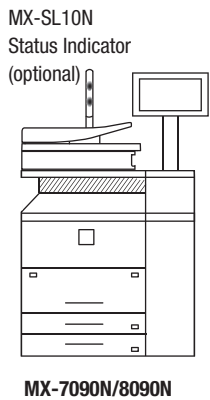
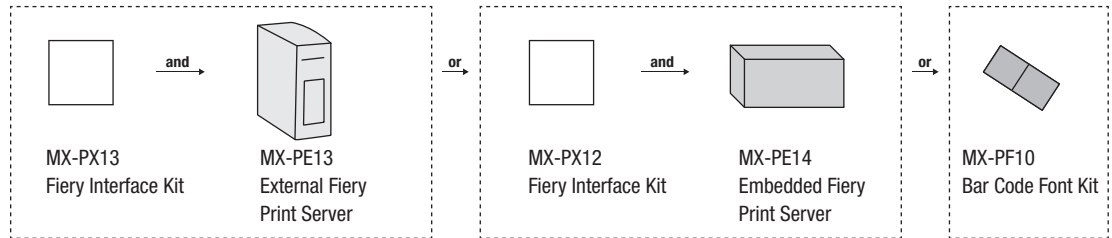
- D** This configuration requires the MX-RB12N, MX-RB15 and the MX-FN21 or MX-FN22.
- The MX-CF11, both MX-ST10s, MX-GBCX2, MX-FD10, and Plockmatic Production Booklet Maker System are all optional.
  - The MX-GBCX2 requires the MX-RB13.
  - The MX-RB13 or MX-FD10 is required to connect a 100-sheet finisher and 2-Tray Inserter Unit directly.
  - The MX-FN21 cannot be used with the MX-FN22.
  - The MX-BM50 requires the MX-FN21 and MX-PCB50.
  - The MX-FD50 must be connected to the MX-TM50.
  - The MX-SL10N Status Indicator can be added to any configuration.



### STEP 3: SELECT CONNECTIVITY COMPONENTS

#### A Network Printing (PCL®6/Adobe PostScript® 3™ Standard)

- The MX-PUX1 and MX-PF10 cannot be used with the MX-PE13 or MX-PE14.
- The MX-PE13 requires the MX-PX13.
- The MX-PE14 requires the MX-PX12



#### Fiery Options – MX-PE13

- Fiery Graphic Arts Package, Premium Edition MX-PEGAP
- Fiery Impose MX-PEFIS
- Fiery Compose MX-PEFC
- Fiery Impose-Compose MX-PEIC
- Fiery JobMaster MX-PEJM1
- Fiery JobMaster-Impose MX-PEJ11
- Fiery Color Profiler Suite MX-PECPS1
- EFI ES-2000 Spectrophotometer MX-PESP
- Fiery Color Profiler Suite with EFI ES-2000 Spectrophotometer MX-PECPSP
- Fiery JobFlow (Requires FPP) MX-PEJF1
- Fiery Central MX-PECE1
- Removable HDD MX-PEHD13
- Fiery NX Station LS MX-PENXLS
- Fiery NX Station GL MX-PENXGL

#### Fiery Options – MX-PE14

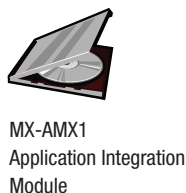
- Fiery Productivity Package MX-PEPP12
- Fiery Impose MX-PEFIS
- Fiery Compose MX-PEFC
- Fiery Impose-Compose MX-PEIC
- Fiery Color Profiler Suite MX-PECPS1
- EFI ES-2000 Spectrophotometer MX-PESP
- Fiery Color Profiler Suite with EFI ES-2000 Spectrophotometer MX-PECPSP
- Fiery JobFlow (Requires FPP) MX-PEJF1

(see price list for additional Fiery accessories and software)

#### B Security



#### C Application Integration (MX-AMX2 Application Communication Module and MX-AMX3 External Accounting Module Standard)



\* See price list for availability.