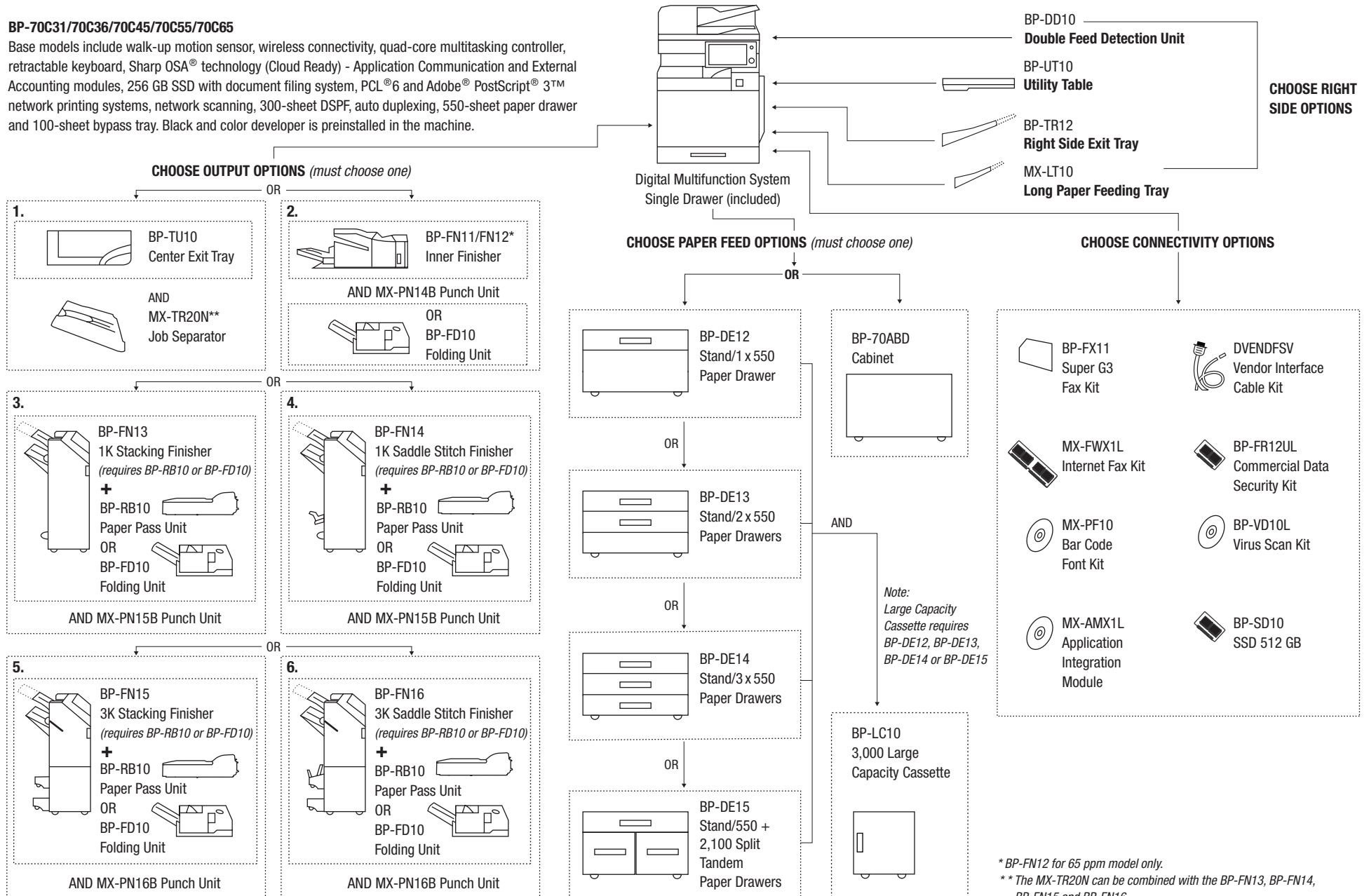


PRODUCT CONFIGURATION

BP-70C31/70C36/70C45/70C55/70C65

Base models include walk-up motion sensor, wireless connectivity, quad-core multitasking controller, retractable keyboard, Sharp OSA® technology (Cloud Ready) - Application Communication and External Accounting modules, 256 GB SSD with document filing system, PCL®6 and Adobe® PostScript® 3™ network printing systems, network scanning, 300-sheet DSPF, auto duplexing, 550-sheet paper drawer and 100-sheet bypass tray. Black and color developer is preinstalled in the machine.

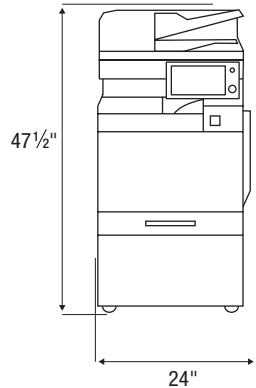


* BP-FN12 for 65 ppm model only.

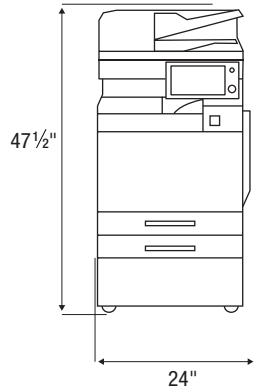
** The MX-TR20N can be combined with the BP-FN13, BP-FN14, BP-FN15 and BP-FN16.

SPACE REQUIREMENTS AND PLANNING

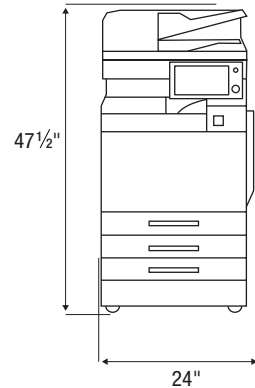
Main Unit + BP-TU10 + BP-70ABD
(standard drawer plus cabinet)
650-sheet maximum



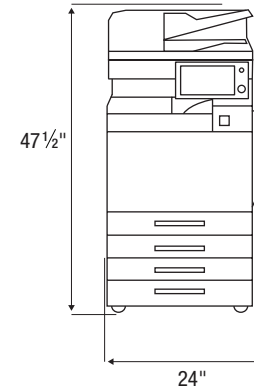
Main Unit + BP-TU10 + BP-DE12*
(1 additional drawer)
1,200-sheet maximum



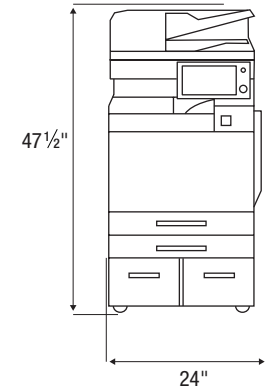
Main Unit + BP-TU10 + BP-DE13*
(2 additional drawers)
1,750-sheet maximum



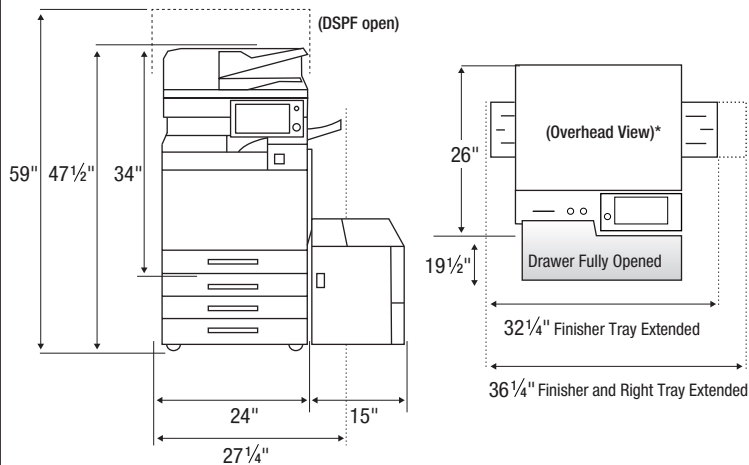
Main Unit + BP-TU10 + BP-DE14*
(3 additional drawers)
2,300-sheet maximum



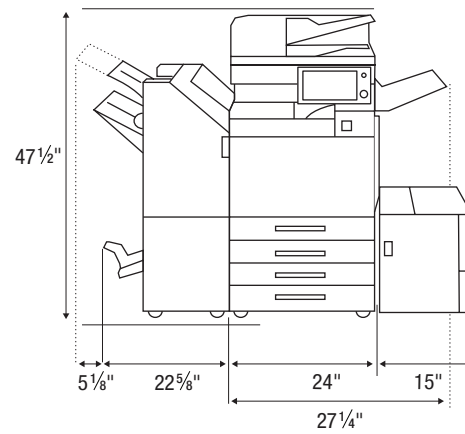
Main Unit + BP-TU10 + BP-DE15*
(1 additional drawer + 2 split tandem drawers)
3,300-sheet maximum



1 Main Unit + BP-TU10 + BP-DE14 + BP-LC10 (5,300-sheet maximum)



2 Main Unit + BP-RB10 + BP-FN14 + BP-DE14 + BP-LC10 (5,300-sheet maximum)



Plan ahead to ensure your installation is a great success!

- Firmware:** Check the Sharp-PC Service site to make sure the machine and accessories have the latest firmware prior to installation at the customer site.
- Power Source:**
BP-70C31/70C36/70C45: Requires 110-127 V AC @ 60 HZ with a 15 A receptacle outlet and circuit breaker.
BP-70C55/70C65: Requires 110-127 V AC @ 60 HZ with a 20 A receptacle outlet and circuit breaker.
- Product Keys:** Obtain application codes for any accessories that may require a product key prior to arrival at the customer site.
- Supplies:** Verify that the customer has enough supplies on hand.

BP-NT70BA	Black Toner	BP-NV70BA	Black Developer
BP-NT70CA	Cyan Toner	BP-NV70SA	Color Developer
BP-NT70MA	Magenta Toner	BP-DR70SA	Drum
BP-NT70YA	Yellow Toner	BP-HB700	Toner Collection Container

Check to see if My Sharp™ online training is set up for the end-user.

Design and specifications are subject to change without notice. All product dimensions listed are approximate.