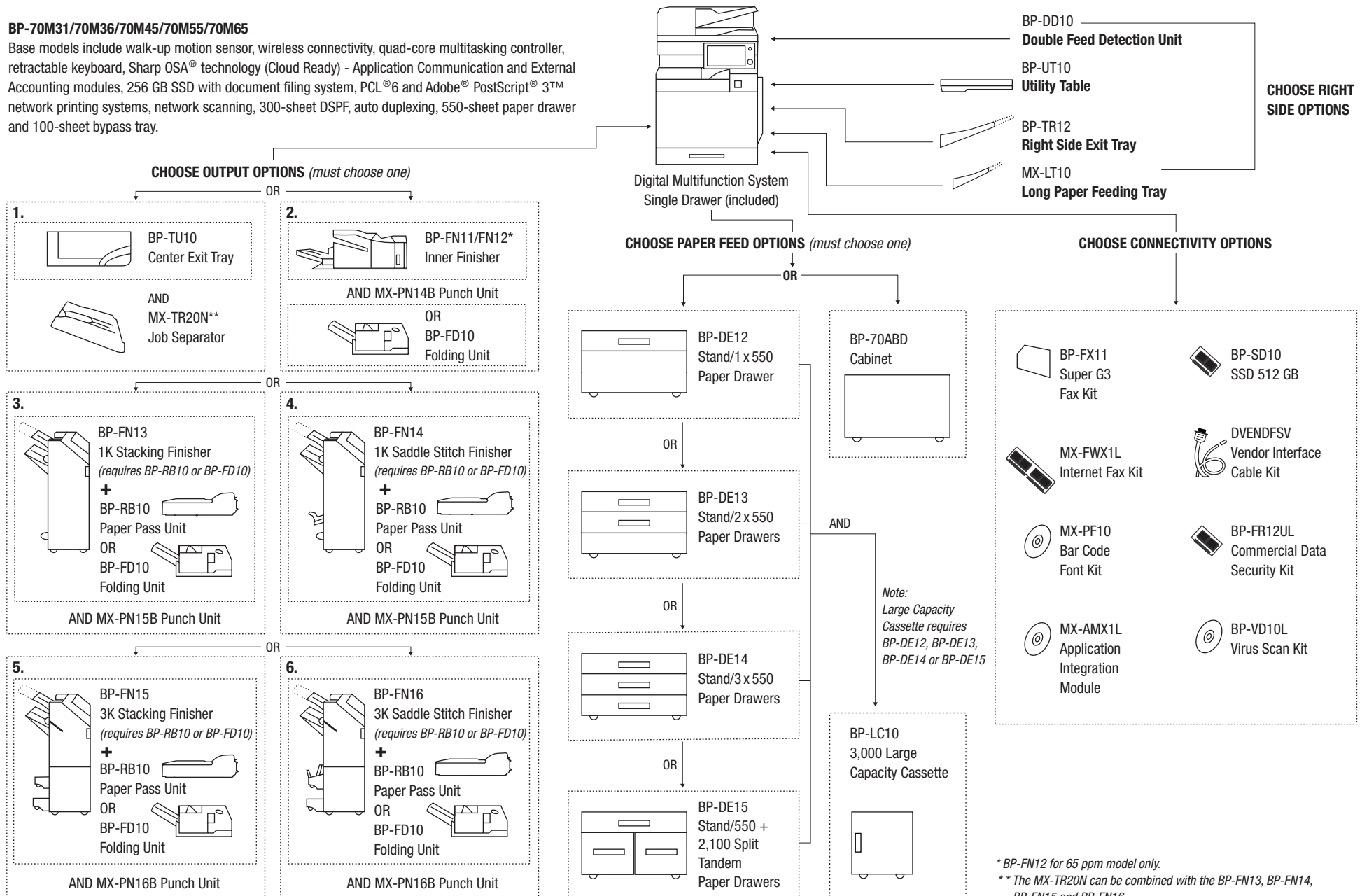


### PRODUCT CONFIGURATION

#### BP-70M31/70M36/70M45/70M55/70M65

Base models include walk-up motion sensor, wireless connectivity, quad-core multitasking controller, retractable keyboard, Sharp OSA® technology (Cloud Ready) - Application Communication and External Accounting modules, 256 GB SSD with document filing system, PCL®6 and Adobe® PostScript® 3™ network printing systems, network scanning, 300-sheet DSPF, auto duplexing, 550-sheet paper drawer and 100-sheet bypass tray.

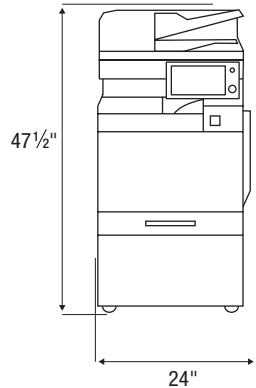


\* BP-FN12 for 65 ppm model only.

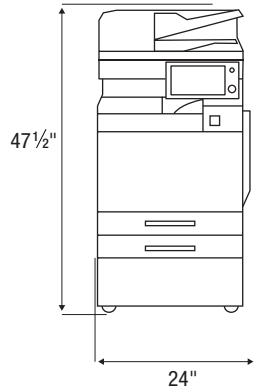
\*\* The MX-TR20N can be combined with the BP-FN13, BP-FN14, BP-FN15 and BP-FN16.

### SPACE REQUIREMENTS AND PLANNING

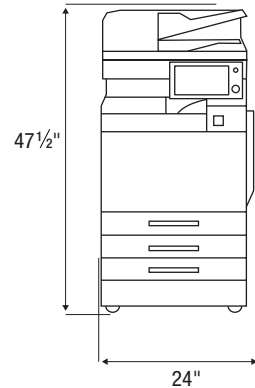
**Main Unit + BP-TU10 + BP-70ABD**  
(standard drawer plus cabinet)  
650-sheet maximum



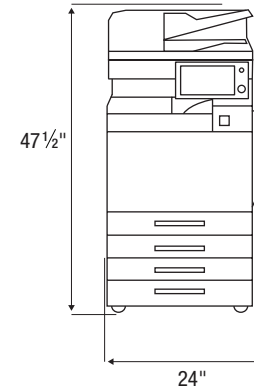
**Main Unit + BP-TU10 + BP-DE12\***  
(1 additional drawer)  
1,200-sheet maximum



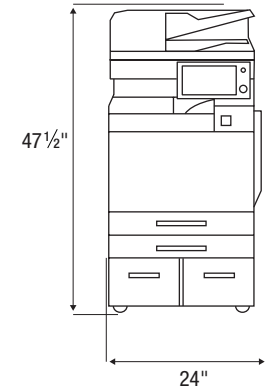
**Main Unit + BP-TU10 + BP-DE13\***  
(2 additional drawers)  
1,750-sheet maximum



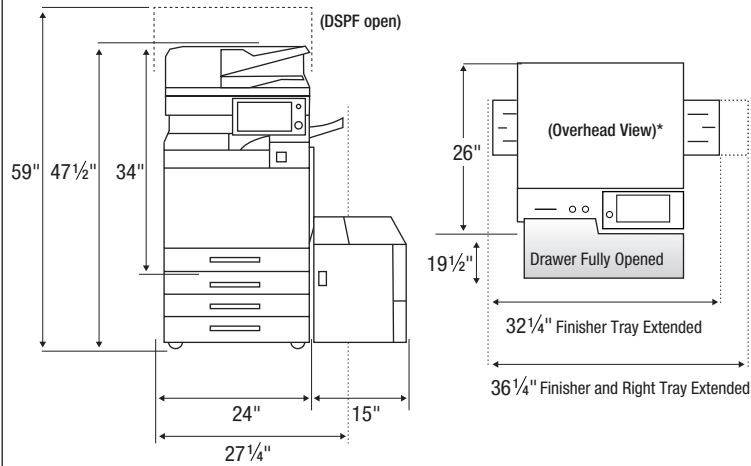
**Main Unit + BP-TU10 + BP-DE14\***  
(3 additional drawers)  
2,300-sheet maximum



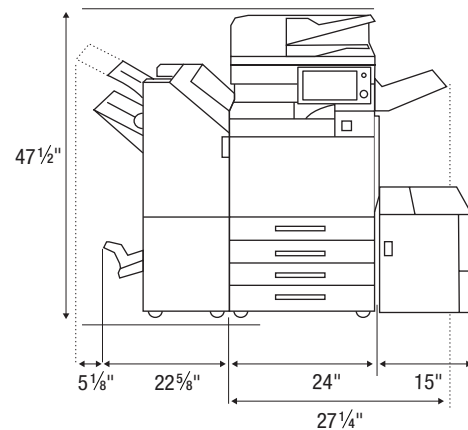
**Main Unit + BP-TU10 + BP-DE15\***  
(1 additional drawer + 2 split tandem drawers)  
3,300-sheet maximum



**1 Main Unit + BP-TU10 + BP-DE14 + BP-LC10 (5,300-sheet maximum)**



**2 Main Unit + BP-RB10 + BP-FN14 + BP-DE14 + BP-LC10 (5,300-sheet maximum)**




\*Other finishers include the BP-FN13, BP-FN15 and BP-FN16.

#### Plan ahead to ensure your installation is a great success!

- Firmware:** Check the Sharp-PC Service site to make sure the machine and accessories have the latest firmware prior to installation at the customer site.
- Power Source:** Requires 110-127 V AC @ 60 HZ with a 15 A receptacle outlet and circuit breaker.
- Product Keys:** Obtain application codes for any accessories that may require a product key prior to arrival at the customer site.
- Supplies:** Verify that the customer has enough supplies on hand.

- BP-NT700** Toner Cartridge
- BP-NV700** Developer
- BP-DR700** Drum
- BP-HB701** Toner Collection Container

 Check to see if My Sharp™ online training is set up for the end-user.

Design and specifications are subject to change without notice. All product dimensions listed are approximate.