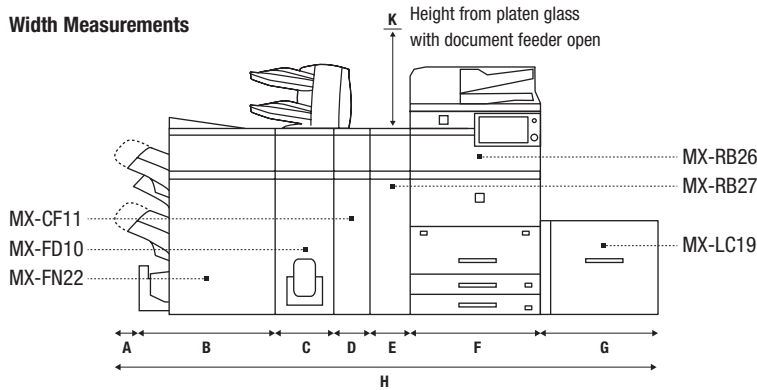
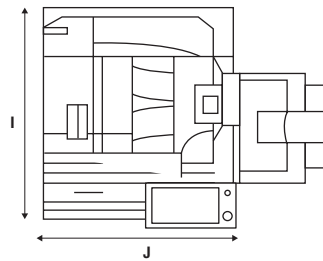


SPACE REQUIREMENTS AND PLANNING GUIDE

Width Measurements



Depth Measurements (overhead view)



A	5"
B	30-3/4"
C	13-1/4"
D	6-1/2"
E	8-3/8"
F	26-1/8"
G	27-3/8"
H	117-3/8"
I	30"
J	26-1/8"
K	20"

Note: In addition to the above dimensions, allow three feet of space on all sides for consumable replenishment, paper jam removal, and maintenance and service procedures. Images may not be to scale.

Installing Dealer

Plan ahead and make sure your installation is a great success! Remember to check the latest information on these products and make sure that the following items are available prior to installation.

- Verify dedicated power source and check for stability. The BP-70M75/70M90 Document Systems require a 120 VAC, 60 Hz power source and draw up to 16 Amps current (requires a 20 Amp circuit breaker).



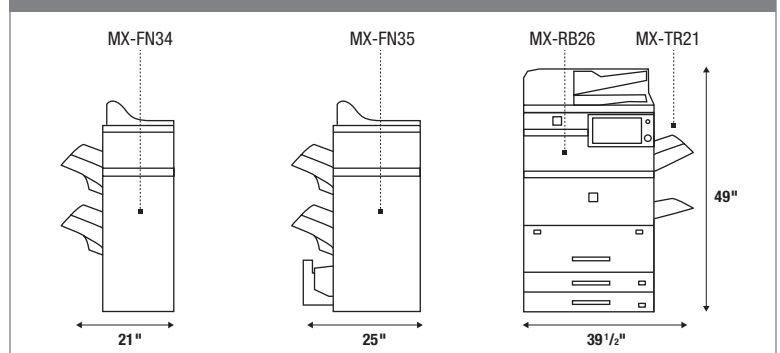
The BP-70M75/70M90 main unit requires 110-127 V AC @ 60 HZ with a 20 A receptacle outlet and circuit breaker.



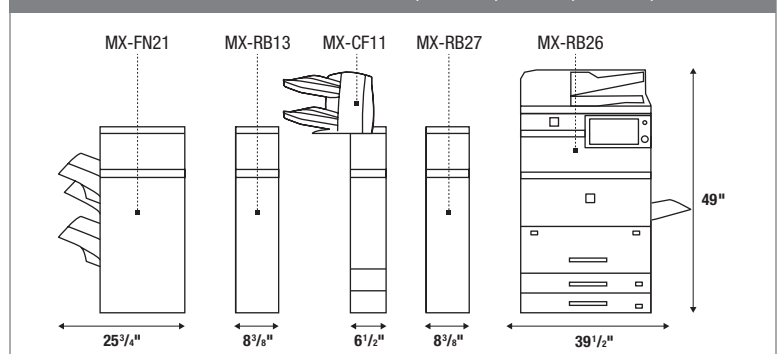
The MX-FN21 and MX-FN22 options each require 110-127 V AC @ 60 HZ with a separate 15 A receptacle outlet and circuit breaker.

- Confirm that you have the latest firmware available from service.sharppamericas.com to update your BP-70M75/70M90 Document Systems to the latest version.
- Some accessories require a product key for operation. You should obtain the accessory Application Code and machine's serial number to register the product key online prior to arrival at the customer location.
- Check to see if My Sharp™ online training is set up for the end-user. 
- Verify that the customer has enough supplies on-hand to complete a large rush job. After-hours printing and/or holiday work may take place following an installation. See Supplies & Accessories list on the following page.

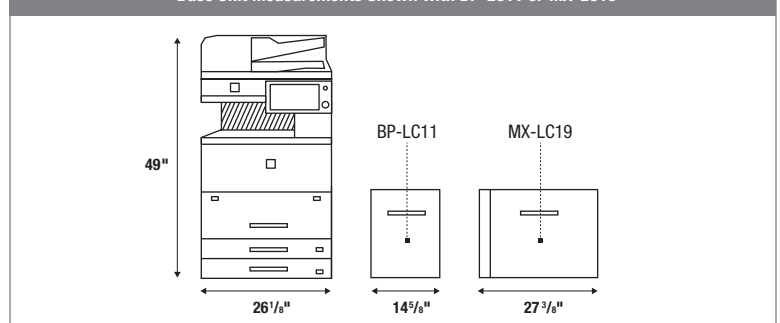
Base Unit Measurements Shown with MX-FN34, MX-FN35, MX-PN16B, MX-RB26, MX-TR21



Base Unit Measurements Shown with MX-FN21, MX-RB13, MX-CF11, MX-RB27, MX-RB26



Base Unit Measurements Shown with BP-LC11 or MX-LC19

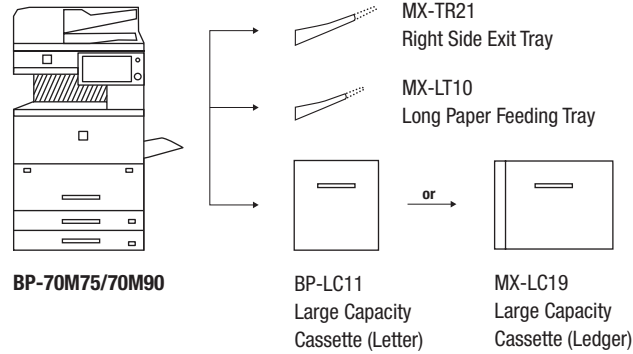


Design and specifications are subject to change without notice. All product dimensions listed are approximate.

STEP 1: CHOOSE RIGHT SIDE EXIT TRAY AND PAPER FEED OPTIONS

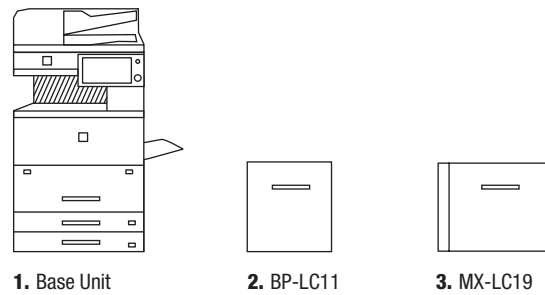
Paper Feed Configurations

These items are not required. The BP-LC11 cannot be used with the MX-LC19.



Supported Paper Weights

1. Base Unit
Upper Drawer (tandem): 16 lb. bond to 28 lb. bond
Middle/Lower Drawer: 16 lb. bond to 80 lb. cover
Bypass: 15 lb. bond to 110 lb. cover
2. BP-LC11
16 lb. bond to 80 lb. cover
3. MX-LC19
16 lb. bond 80 lb. cover



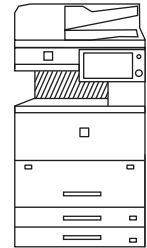
Supplies & Accessories

- | | | | |
|-------------------|----------|---------------------------------|------------|
| • Toner Cartridge | BP-NT705 | • Toner Collection Container | MX-700HB |
| • Developer | BP-NV705 | • 120V/20A Power Filter | AR-D5143NT |
| • Drum | MX-754DR | • 120V/20A Digital Power Filter | MX-PCS-20D |

STEP 2: CHOOSE FINISHING CONFIGURATION

Configuration A

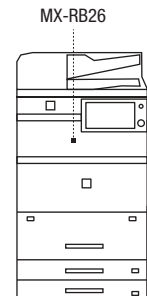
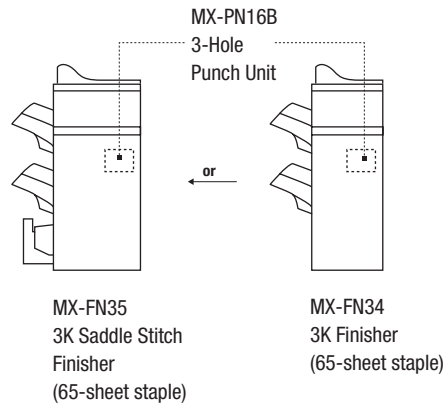
- A** The MX-TU15 must be installed if no finishing options are selected. This item cannot be combined with items from other finishing configurations.



BP-70M75/70M90

Configuration B

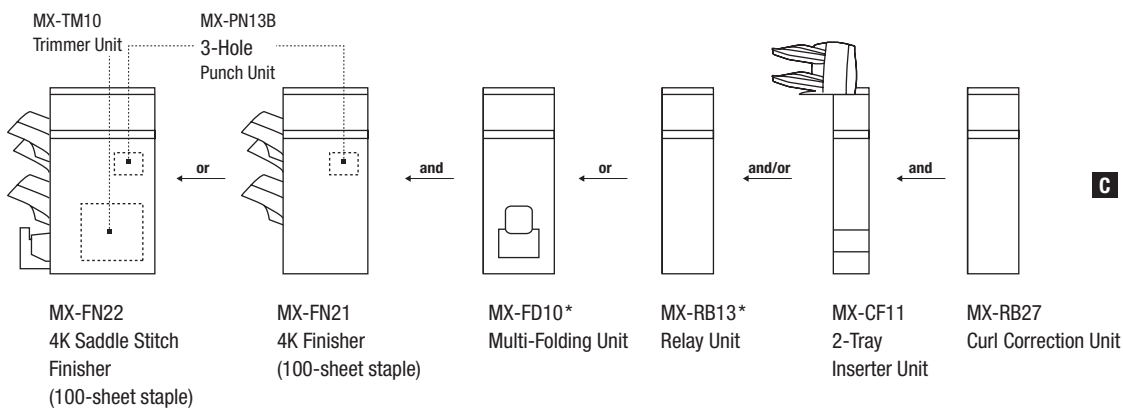
- B** These configurations require the MX-RB26 and a finisher, but do not require the MX-PN16B. The MX-FN34 cannot be used with the MX-FN35. These items cannot be combined with items from other finishing configurations.



BP-70M75/70M90 +
MX-RB26
Paper Pass Unit
(required for Configurations
B and C)

Configuration C

- C** These configurations require the MX-RB26, MX-RB27 and a finisher. The MX-RB13 cannot be used with the MX-FD10. The MX-FN21 cannot be used with the MX-FN22. These items cannot be combined with items from other finishing configurations.



*A Relay Unit or Multi-Folding Unit is required to connect a Finisher and 2-Tray Inserter Unit directly.

STEP 3: SELECT CONNECTIVITY COMPONENTS

