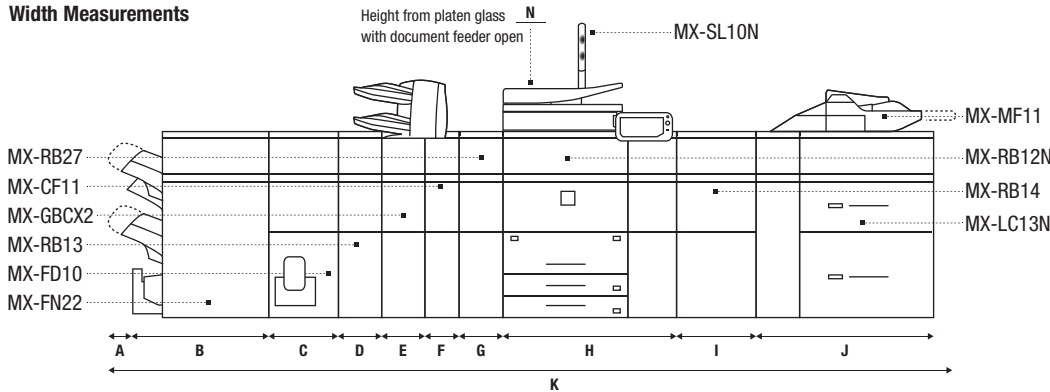
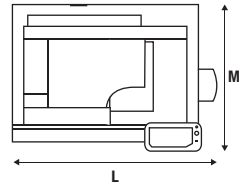


SPACE REQUIREMENTS AND PLANNING GUIDE

Width Measurements



Depth Measurements (overhead view)



A	5"
B	30-1/4"
C	13-1/4"
D	8-3/8"
E	16-3/4"
F	6-1/2"
G	8-3/8"
H	33-1/4"
I	18"
J	35-1/4"
K	174-1/8"
L	33-1/4"
M	33-1/4"
N	23-1/4"

Note: In addition to the above dimensions, allow three feet of space on all sides for consumable replenishment, paper jam removal, and maintenance and service procedures. Images may not be to scale.

Installing Dealer

Read this document in its entirety before planning your configuration.

Plan ahead and make sure your installation is a great success! Remember to check the latest information on these products and make sure that the following items are available prior to installation.

- Verify dedicated power source and check for stability. The MX-7081/8081 Document Systems require a 208-240V AC, 60 Hz, 20 Amp power source.



The MX-7081/8081 base unit requires one 208-240V AC, 20 Amp power source.



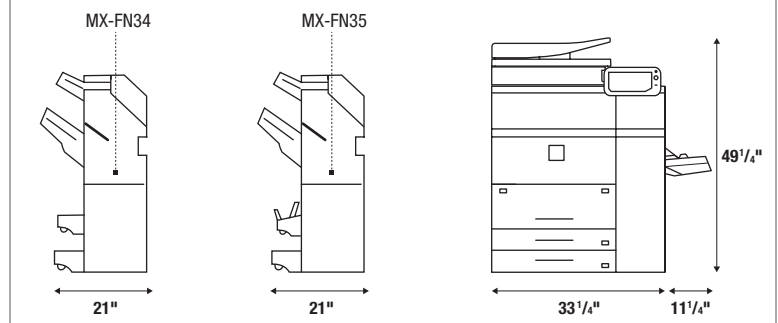
The MX-FN21, MX-FN22 and MX-LC13N options each require separate 120V AC, 15 Amp power sources.

- Confirm that you have the latest firmware available from service.sharppamericas.com to upgrade your MX-7081/8081 Color Document Systems immediately.
- Some accessories require a product key for operation. You should obtain the accessory Application Code and machine's serial number to register the product key online prior to arrival at the customer location.
- Check to see if MySharp™ online training is set up for the end-user.
- Verify that the customer has enough supplies on-hand to complete a large rush job. After-hours printing and/or holiday work may take place following an installation. See Supplies & Accessories list on the following page.

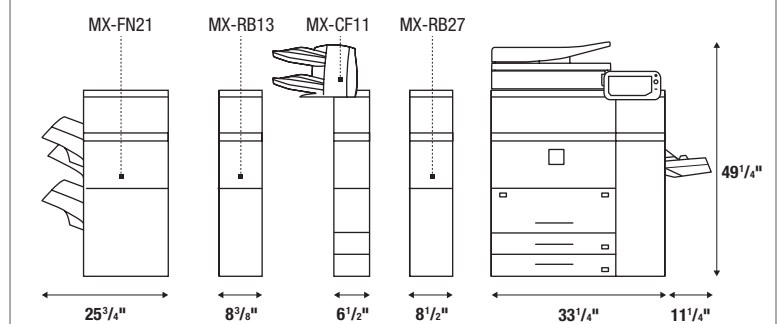


Illustrations shown are for measurement purposes only and may not be to scale. For configurations see subsequent pages.

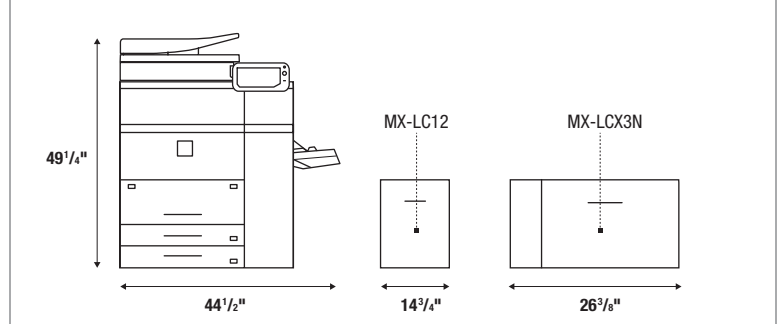
Base Unit Measurements Shown with MX-FN34 or MX-FN35.



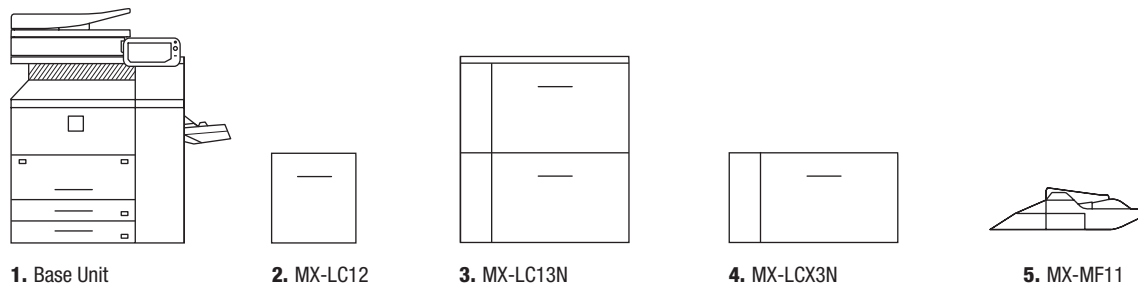
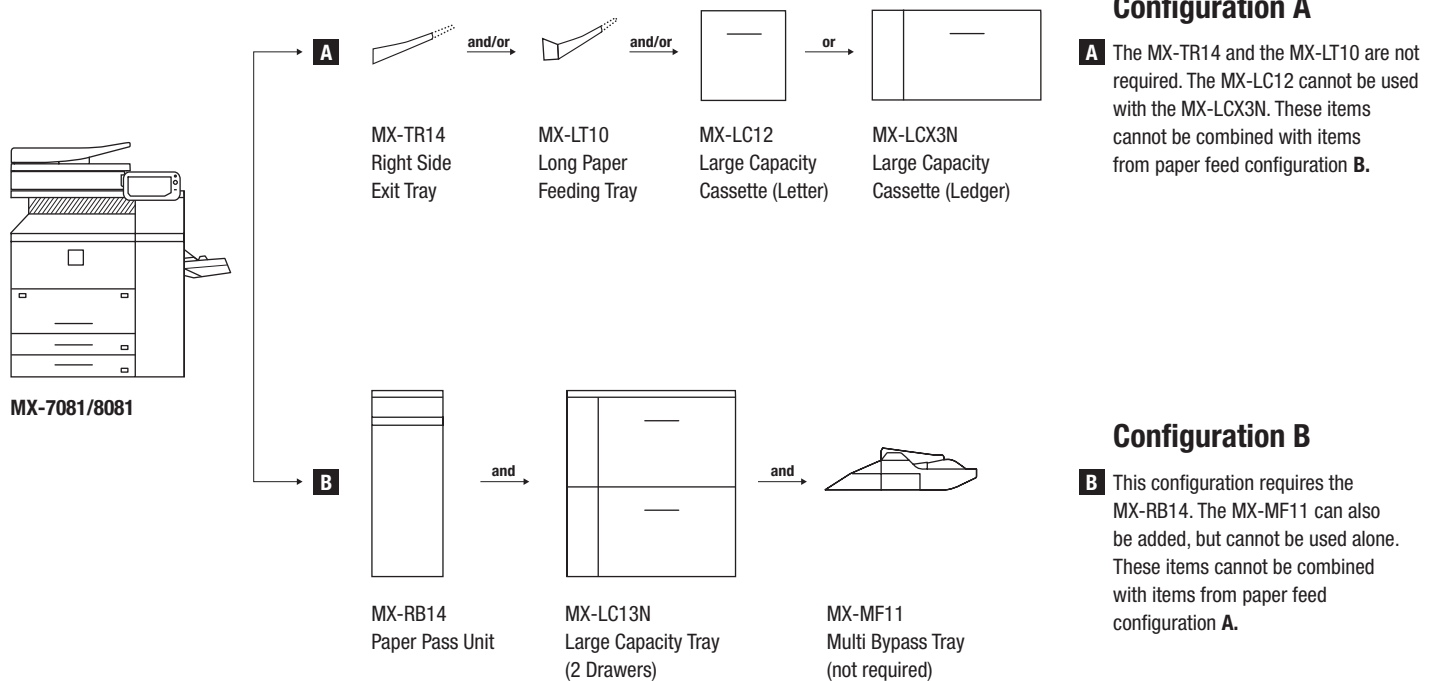
Base Unit Measurements Shown with MX-RB27, MX-CF11, MX-RB13 and MX-FN21.



Base Unit Measurements Shown with MX-LC12 or MX-LCX3N.



STEP 1: CHOOSE PAPER FEED CONFIGURATION



Supported Paper Weights

- | | | | | |
|--|--|--|---|--|
| <p>1. Base Unit
Upper Drawer (tandem): 16 lb. bond to 28 lb. bond
Middle/Lower Drawer: 16 lb. bond to 110 lb. cover
Bypass Tray: 15 lb. bond to 110 lb. cover</p> | <p>2. MX-LC12
16 lb. bond to 80 lb. cover</p> | <p>3. MX-LC13N
Upper/Lower Drawer: 15 lb. bond to 110 lb. cover</p> | <p>4. MX-LCX3N
16 lb. bond to 80 lb. cover</p> | <p>5. MX-MF11
15 lb. bond to 80 lb. cover</p> |
|--|--|--|---|--|

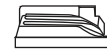
Supplies & Accessories

- | | | | |
|--|--|--|---|
| <ul style="list-style-type: none"> • Black Toner Cartridge • Cyan Toner Cartridge • Magenta Toner Cartridge • Yellow Toner Cartridge • Black Developer • Cyan/Magenta/Yellow Developer | <ul style="list-style-type: none"> MX-80NTBA MX-80NTCA MX-80NTMA MX-80NTYA MX-62NVBA MX-62NVSA | <ul style="list-style-type: none"> • Drum • Toner Collection Container • 120V/15A Power Filter (for MX-FN21, MX-FN22, and MX-LC13N) • 208-240V/20A Power Filter | <ul style="list-style-type: none"> MX-62NRSA MX-700HB AR-D5133NT MX-E524ZNT |
|--|--|--|---|

STEP 2: CHOOSE FINISHING CONFIGURATION

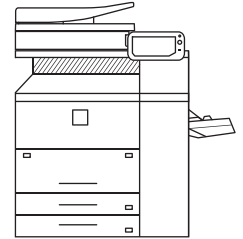
Configuration A

- A** The MX-TU14 must be installed if no finishing options are selected. This item cannot be combined with items from other finishing configurations.



MX-TU14
Center Exit Tray

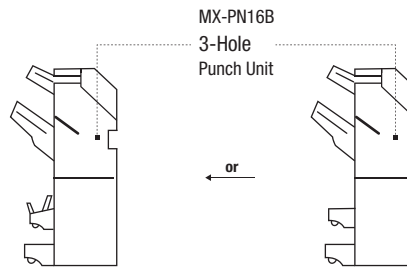
A



MX-7081/8081

Configuration B

- B** These configurations require the MX-RB12N and a finisher, but do not require the MX-PN16B. The MX-FN34 cannot be used with the MX-FN35. These items cannot be combined with items from other finishing configurations.

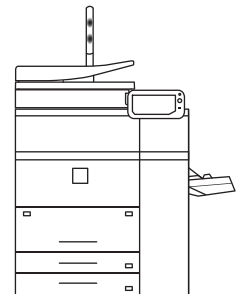


MX-FN35
3K Saddle Stitch Finisher
(65-sheet staple)

← or →

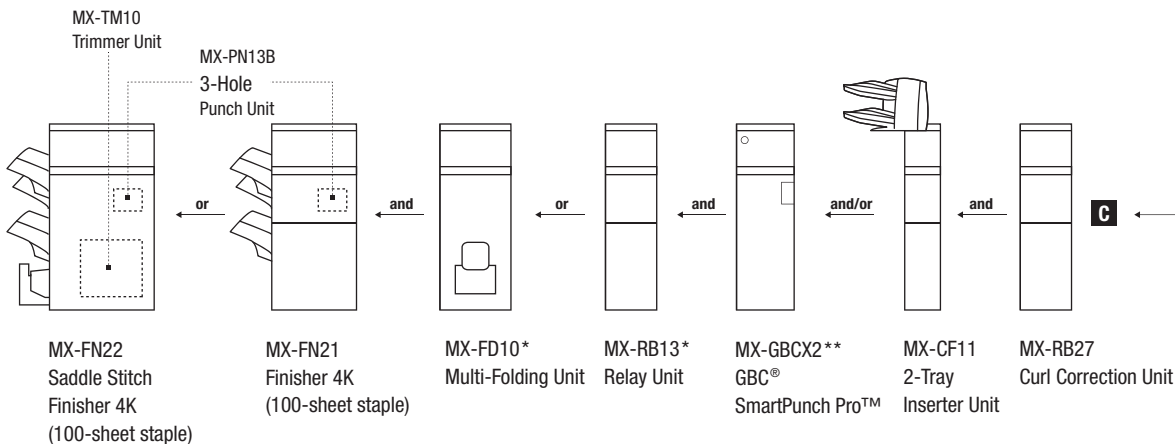
MX-FN34
3K Finisher
(65-sheet staple)

B



Configuration C

- C** This configuration requires the MX-RB12N, the MX-RB27 and the MX-FN21 or MX-FN22.
- The MX-CF11, MX-GBCX2, and the MX-FD10 are all optional.
 - The MX-GBCX2 requires the MX-RB13.
 - The MX-RB13 is required to connect a 100-sheet finisher and MX-CF11.
 - The MX-FN21 cannot be used with the MX-FN22.

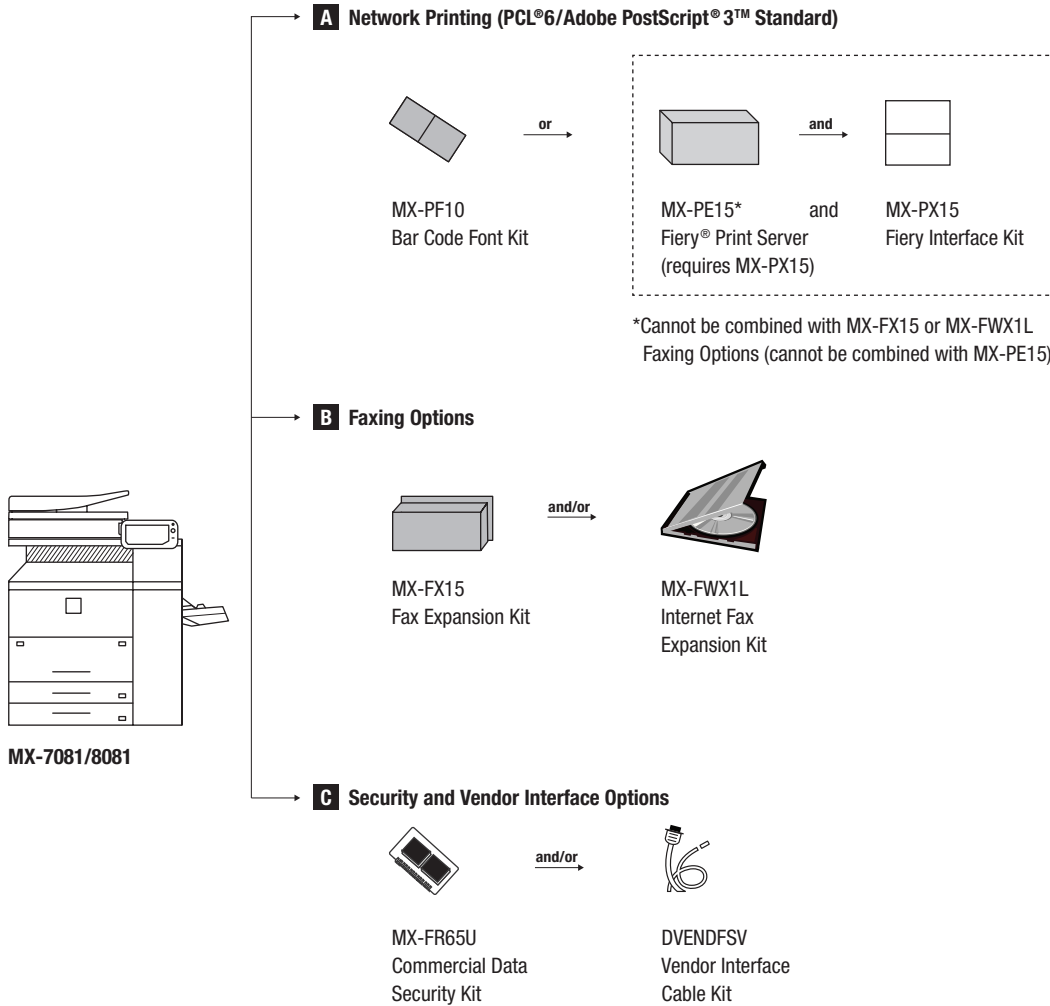


MX-7081/8081 + MX-RB12N Paper Pass Unit + MX-SL10N Status Indicator
(MX-RB12N required for Configurations B and C. MX-SL10N can be added to any configuration.)

*A Relay Unit or Multi-Folding Unit is required to connect a Finisher and 2-Tray Inserter Unit directly.

**A Relay Unit is required to connect the GBC Smart Punch Pro

STEP 3: SELECT CONNECTIVITY COMPONENTS



Design and specifications are subject to change without notice. All product dimensions listed are approximate.